



VSS

SUBMERSIBLE RANGE



VSS SUBMERSIBLE RANGE

Sand and Slurry Agitator



General dewatering features:

- Capacity: up to 390m³/h.
- Head: up to 42 meters.
- Discharge: 80mm (3") to 200mm (8").
- Power: 4kW (5.5 HP) to 37kW (50HP).
- Power supply: three phase 380V & 525V ± 10%, 50Hz
- Insulation class: F
- Protection class: IP68.
- Cable length: 8m.
- Water temperature: up to 40°C.
- Maximum water depth: 15m.
- SG: Up to 1.2

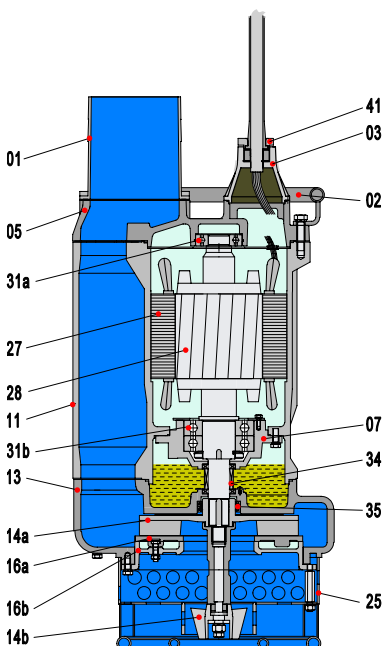


Applications:

- Discharging slurries bearing sand, earth & other solids in suspension.

Performance:

OUTPUT KW	MODEL	DISCHARGE DIA.MM	BEP HEAD M	BEP FLOW M ³ /H	MAX SOLIDS MM	WEIGHT KG
4	80VSS44	80	10	60	30	108.5
6	100VSS46	100	10	90	30	141
9	150VSS49	150	15	100	30	171
11	150VSS411	150	15	120	30	197
15	200VSS415	200	16	200	30	260
22	200VSS422	200	24	200	30	408
30	200VSS430	200	28	200	30	510
37	200VSS437	200	33	200	30	535

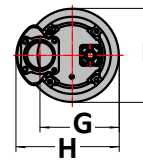
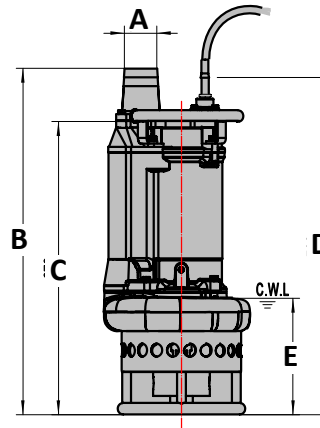
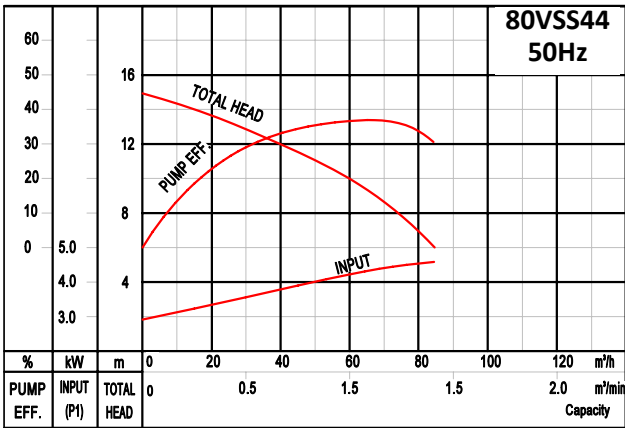


ITEM NO	PART NAME	MATERIAL
01	House coupling	Cast iron
02	Handle	Steel
05	Upper cover	Cast iron
07	Bearing house	Cast iron
11	Motor body	Cast iron
13	Pump body	Cast iron
14a	Impeller	High chrome alloy
14b	Agitator	High chrome alloy
16a	Inlet plate	High chrome alloy

ITEM NO	PART NAME	MATERIAL
16b	Inlet plate	Cast iron
25	Strainer	Steel
27	Stator	
28	Rotor	Shaft: AISI420SS
31a	Bearing	Ball bearing
31b	Bearing	Ball bearing
34	Mechanical seal	Sic-Sic/Sic-Sic
35	Oil seal	
41	Shim	Cast iron

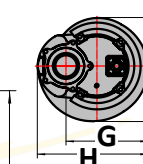
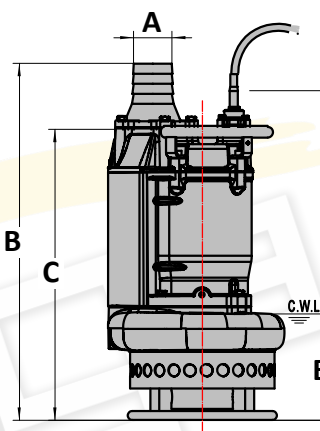
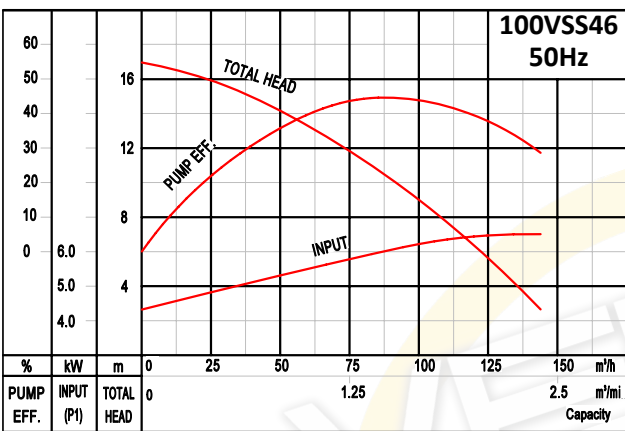
VSS SUBMERSIBLE RANGE

PERFORMANCE CURVE & DIMENSIONS



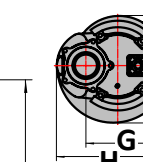
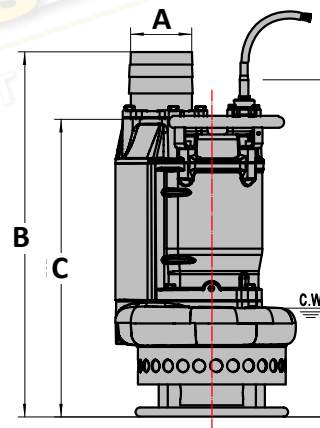
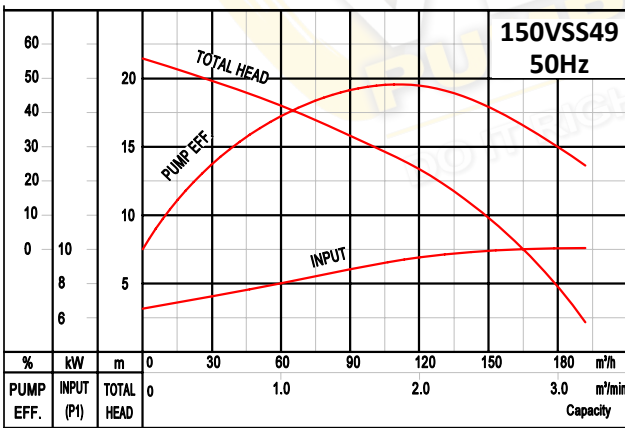
MODEL	MM
A	80
B	816
C	678
D	730
E	250
F	326
G	260
H	350

WEIGHT 108.5KG



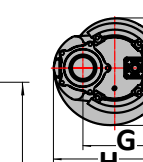
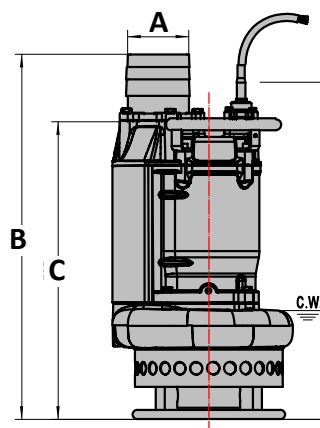
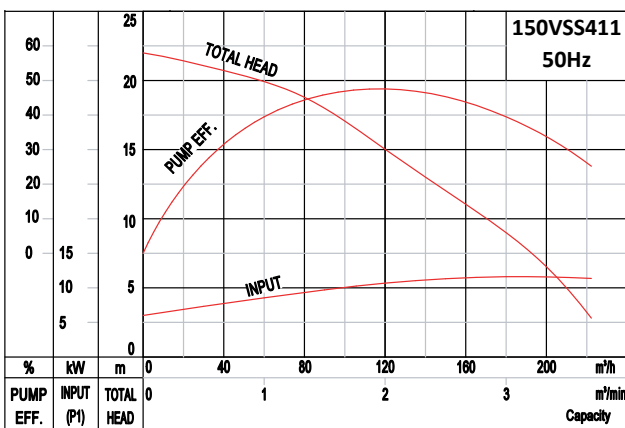
MODEL	MM
A	100
B	844
C	682
D	768
E	250
F	373
G	305
H	415

WEIGHT 141KG



MODEL	MM
A	150
B	889
C	727
D	813
E	250
F	407
G	324
H	434

WEIGHT 171KG

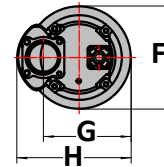
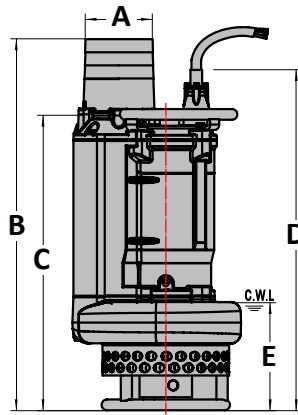
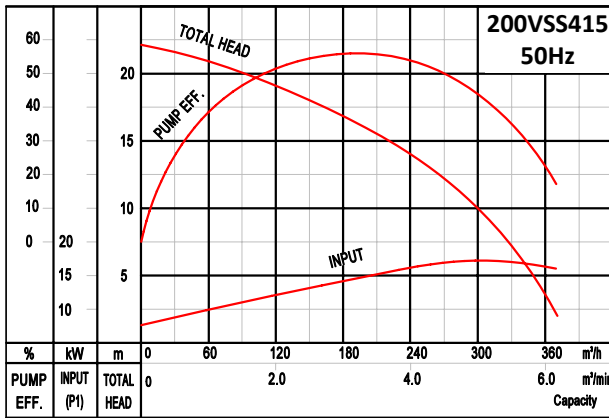


MODEL	MM
A	150
B	926
C	764
D	850
E	250
F	407
G	324
H	434

WEIGHT 171KG

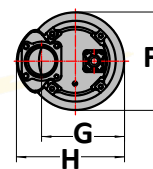
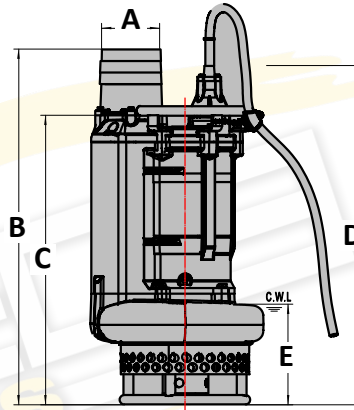
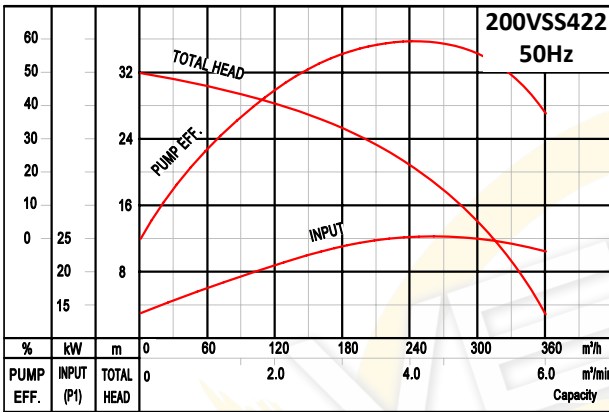
VSS SUBMERSIBLE RANGE

PERFORMANCE CURVE & DIMENSIONS



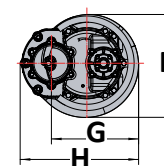
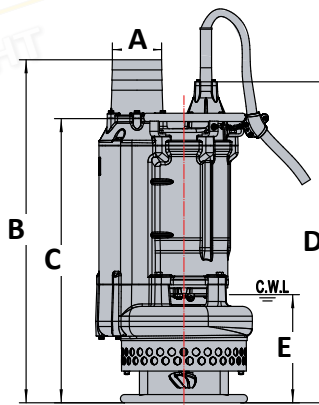
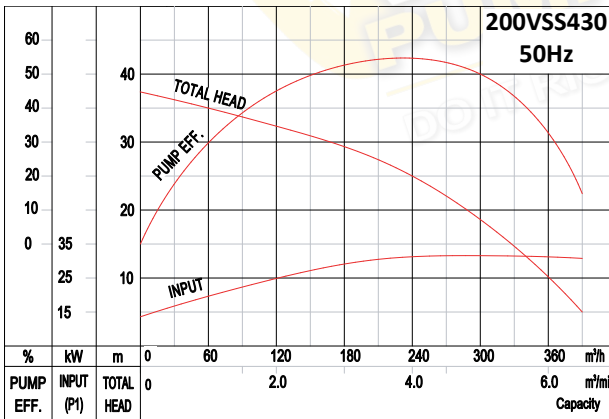
MODEL	MM
A	200
B	1121
C	889
D	980
E	295
F	457
G	352
H	484

WEIGHT 260KG



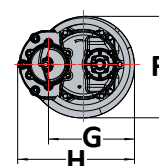
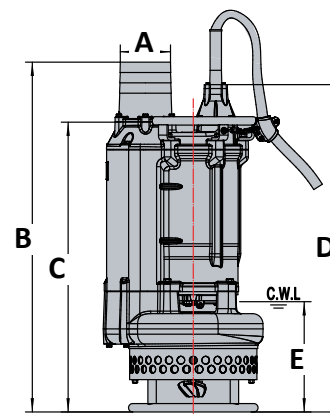
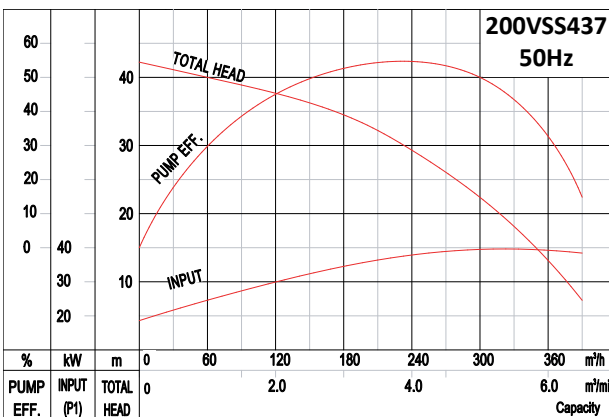
MODEL	MM
A	200
B	1245
C	1015
D	1200
E	330
F	528
G	442
H	578

WEIGHT 408KG



MODEL	MM
A	200
B	1351
C	1120
D	1265
E	405
F	543
G	457
H	617

WEIGHT 510KG

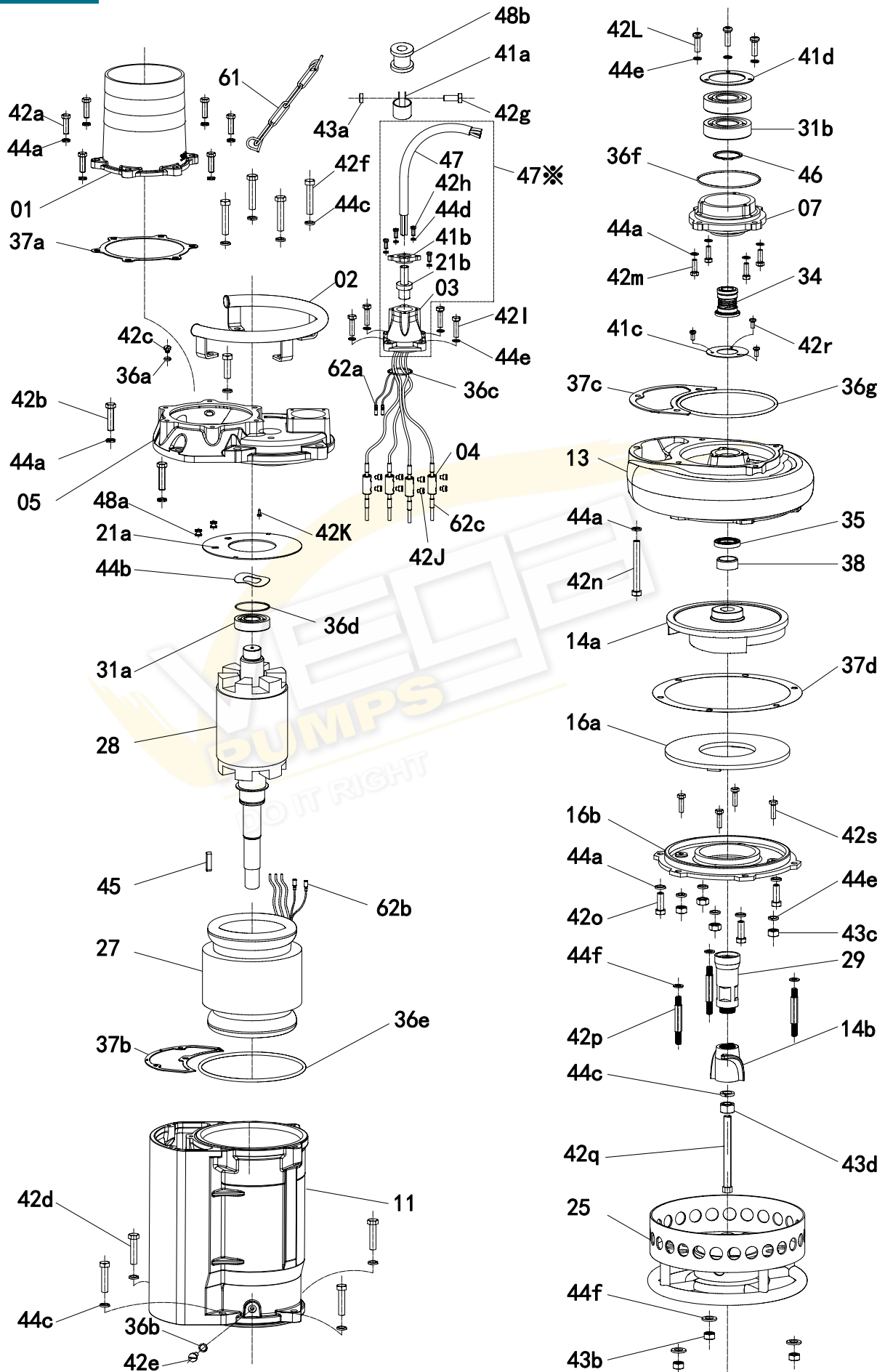


MODEL	MM
A	200
B	1351
C	1120
D	1265
E	405
F	543
G	457
H	617

WEIGHT 535KG

VSS SUBMERSIBLE RANGE

EXPLODED VIEW



VSS SUBMERSIBLE RANGE

EXPLODED VIEW



Index	Part name	Qty	Material
01	Hose coupling	1	Cast iron
02	Handle	1	Steel
03	Terminal box	1	Cast iron
04	Terminal block	4	H64
05	Upper cover	1	Cast iron
07	Bearing house	1	Cast iron
11	Motor body	1	Cast iron
13	Pump casing	1	Cast iron
14a	Impeller	1	High chrome alloy
14b	Agitator	1	High chrome alloy
16a	Inlet plate	1	High chrome alloy
16b	Inlet plate	1	Cast iron
21a	Protecting cap	1	
21b	Cable tube	1	NBR
25	Strainer	1	Steel
27	Stator	1	
28	Rotor	1	Shaft: AISI420SS
29	Shaft	1	AISI420SS
31a	Bearing	1	
31b	Bearing	2	
34	Mechanical Seal	1	Tc-Sic/Sic-Sic
35	Oil seal	1	
36a	O-ring	1	NBR
36b	O-ring	1	NBR
36c	O-ring	1	NBR
36d	O-ring	1	NBR
36e	O-ring	1	NBR
36f	O-ring	1	NBR
36g	O-ring	1	NBR
37a	Gasket	1	NBR
37b	Gasket	1	NBR
37c	Gasket	1	NBR
37d	Gasket	1	PVC
38	Shaft sleeve	1	AISI420SS
41a	Cable clamping band	1	AISI420SS
41b	Cable clamping band	1	Cast iron
41c	Seal fixing plate	1	
41d	Bearing fixing plate	1	
42a	Bolt	6	AISI304SS
42b	Bolt	3	AISI304SS
42c	Screw	1	AISI304SS
42d	Bolt	4	AISI304SS
42e	Screw	1	H62
42f	Bolt	4	AISI304SS
42g	Bolt	1	AISI304SS
42h	Bolt	4	AISI304SS
42i	Bolt	4	AISI304SS
42j	Screw	8	AISI304SS
42k	Screw	1	
42l	Bolt	3	
42m	Bolt	4	
42n	Bolt	1	AISI304SS
42o	Bolt	3	AISI304SS

Index	Part name	Qty	Material
42p	Screw	3	AISI304SS
42q	Bolt	1	AISI304SS
42r	Screw	3	
42s	Bolt	4	AISI304SS
43a	Nut	1	AISI304SS
43b	Nut	3	AISI304SS
43c	Nut	4	AISI304SS
43d	Nut	1	AISI304SS
44a	Spring washer	17	AISI304SS
44b	Wave pad	1	65Mn
44c	Spring washer	9	AISI304SS
44d	Spring washer	4	AISI304SS
44e	Spring washer	11	AISI304SS
44f	Washer	6	AISI304SS
45	Key	1	AISI304SS
46	Circlips for shaft	1	65Mn
47	Cable	1	
47	Cable Terminal box assembly	1	
48a	Rubber sleeve	2	NBR
48b	Rubber sleeve	1	NBR
61	Chain	1	
62a	Connecting terminal	2	
62b	Connecting terminal	2	
62c	Connecting terminal	8	