



VHM

SUBMERSIBLE RANGE



VHM SUBMERSIBLE RANGE

General Dewatering: 5.5KW - 110KW



General dewatering features:

- Liquid temperature: up to 40°C.
- Solids handling: Ø6 - 20 mm.
- Protection class: IP68, Class F.
- Depth submersion: 30m
- Complete water-tight cable entry sealed with epoxy resin.
- Durable cast iron outer construction achieves superior heat dissipation.
- Inlet plate and diffuser are made of wear-resistant ductile iron to withstand abrasive liquids.
- Replaceable and adjustable high chrome wear rings provide increased wear resistance.
- Thermal and amperage protectors can help to prevent motor failure in dry run or surge conditions.
- High pressure, dual silicon carbide mechanical seals.
- Anti-wicking cable entrance.

Applications:

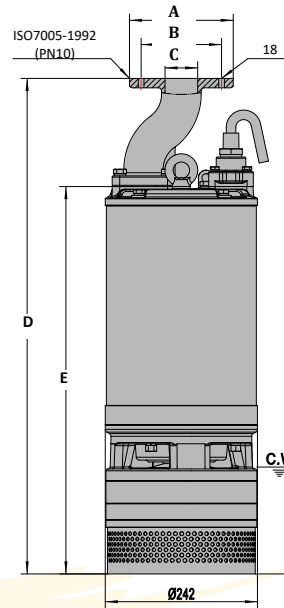
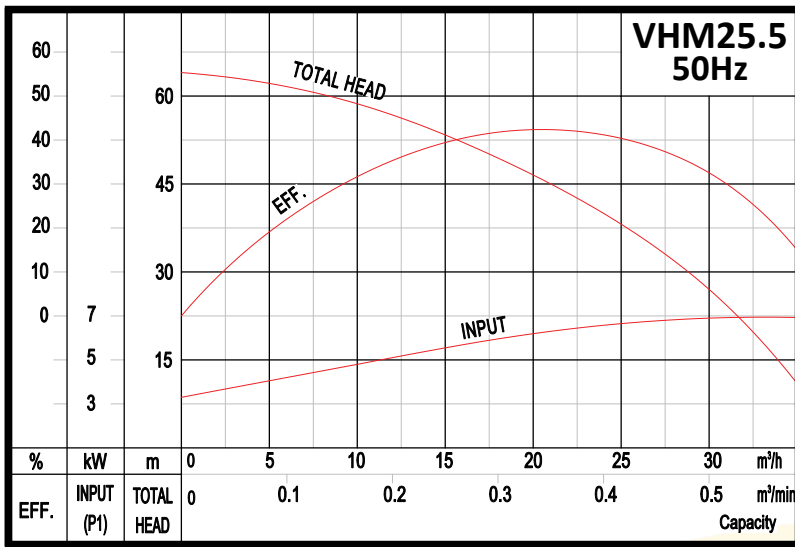
- General construction and civil engineering applications.
- Tunnel and subway construction, mining and reclamation operations.
- Deep well dewatering.
- Dirty water non slurry applications.

Performance:

MODEL	OUTPUT (kW)	DISCHARGE SIZE (mm)	BEP HEAD (m)	BEP FLOW (m³/h)	MAX SOLIDS SIZE (mm)	WEIGHT (kg)
VHM25,5	5,5	50	48	15	6	100
VHM311	11	75	75	33	6	160
VHM422	22	100	52.5	90	6	370
VHM622	22	150	33	140	15	385
VHM430	30	100	60	112.5	6	375
VHM630	30	150	45	140	15	390
VHM437	37	100	120	80	6	500
VHM637	37	150	66	120	6	570
VHM837	37	200	35	216	20	575
VHM645	45	150	68	130	6	575
VHM845	45	200	40	240	20	580
VHM675	75	150	110	120	8	830
VHM875	75	200	63	240	20	880
VHM690	90	150	130	120	10	1100
VHM890	90	200	70	270	20	1120
VHM6110	110	150	150	120	10	1250
VHM8110	110	200	95	290	20	1150

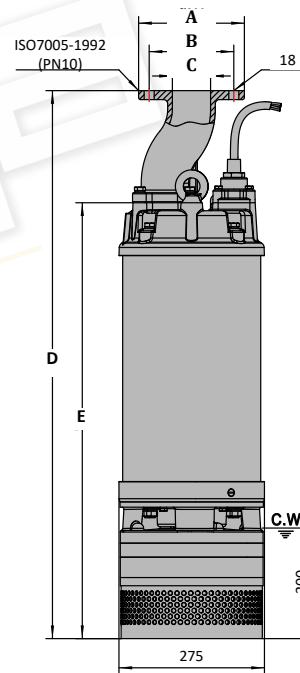
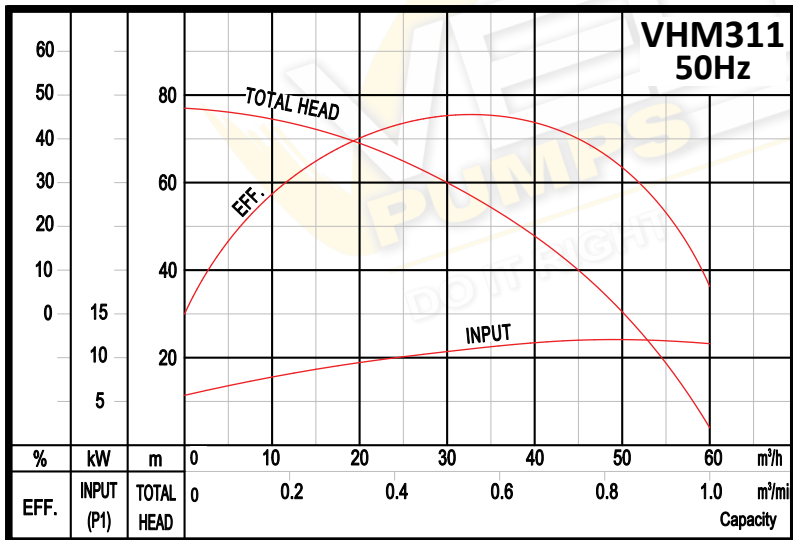
VHM SUBMERSIBLE RANGE

PERFORMANCE CURVE & DIMENSIONS



MODEL	VHM25.5
A	165
B	125
C	50
D	788
E	616

WEIGHT	100kg
---------------	--------------

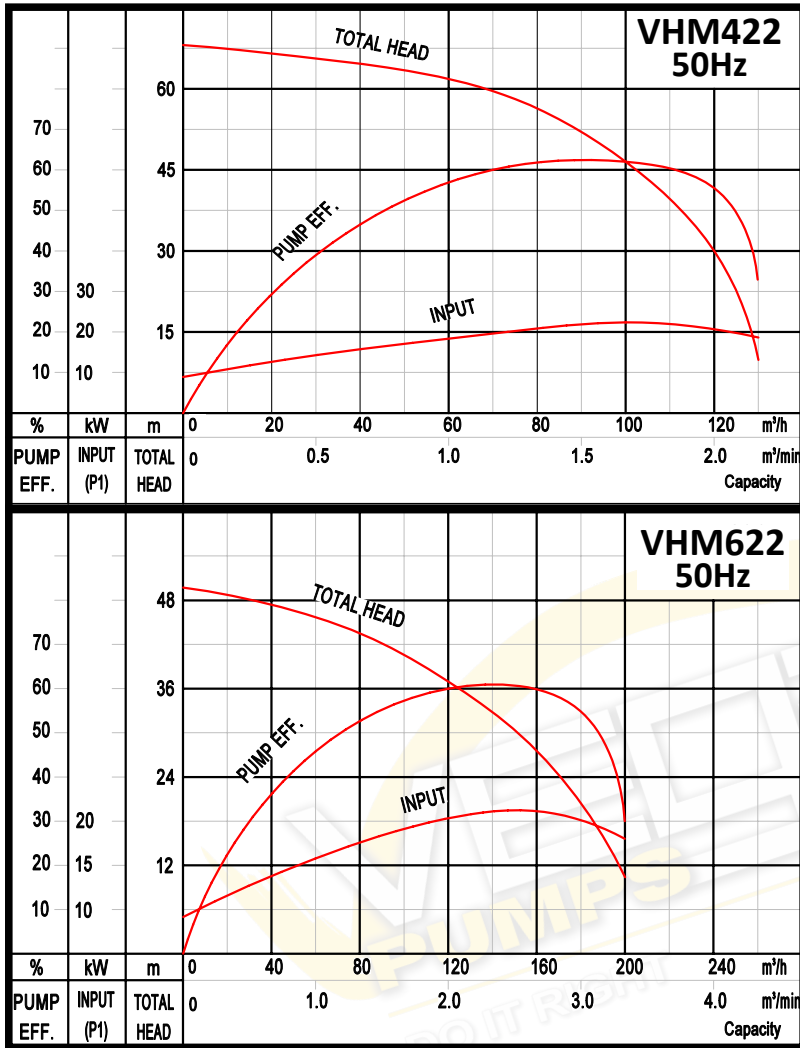


MODEL	311
A	200
B	160
C	80
D	1036
E	824

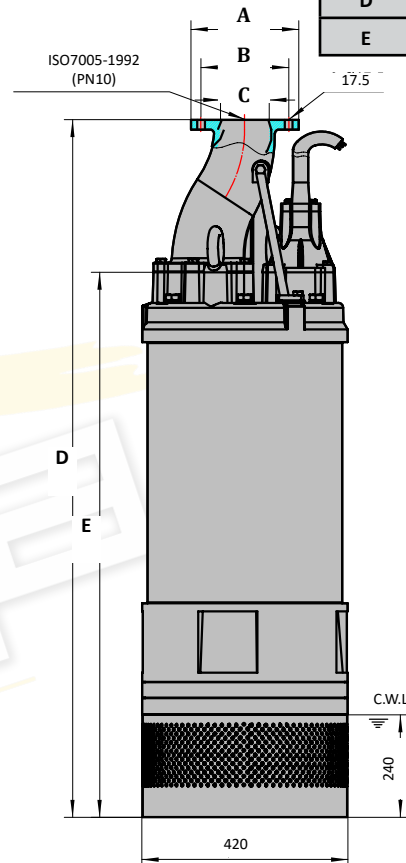
WEIGHT	160kg
---------------	--------------

VHM SUBMERSIBLE RANGE

PERFORMANCE CURVE & DIMENSIONS



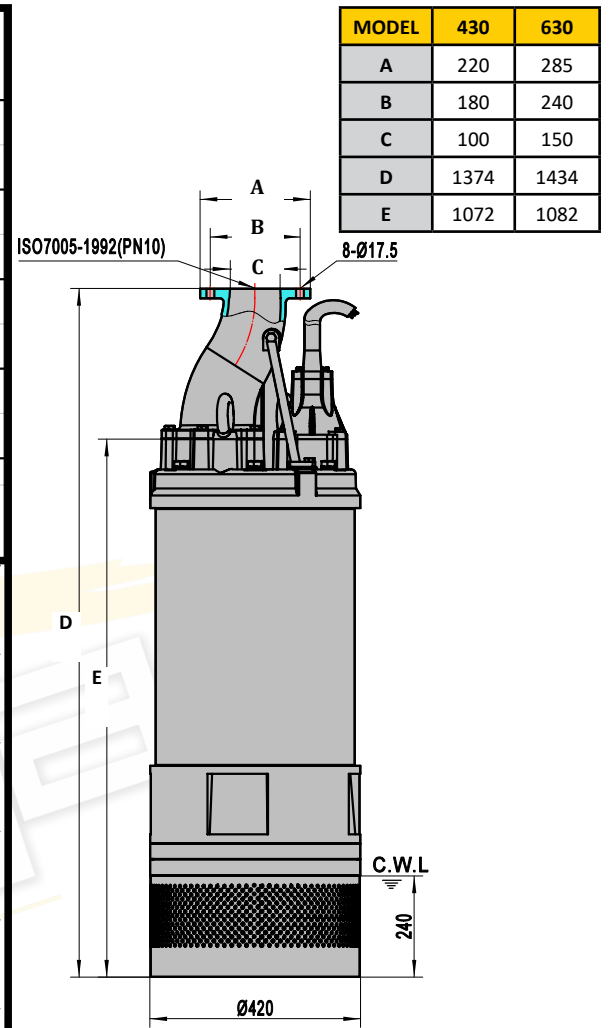
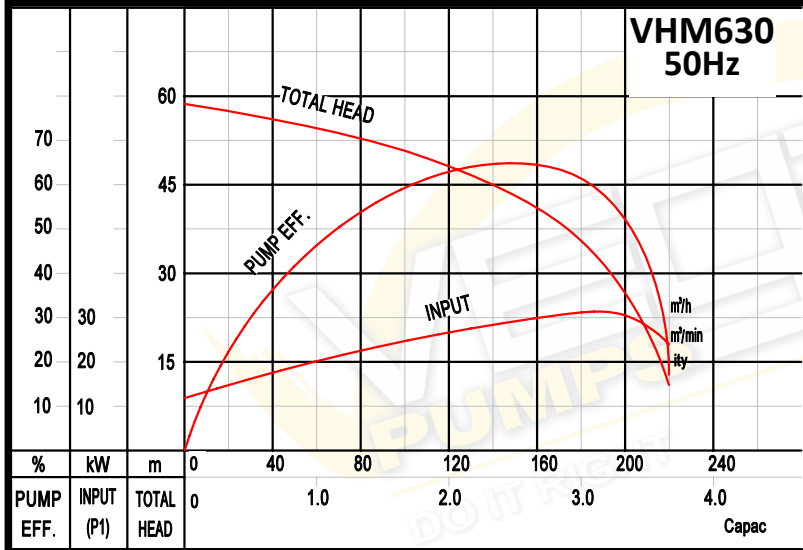
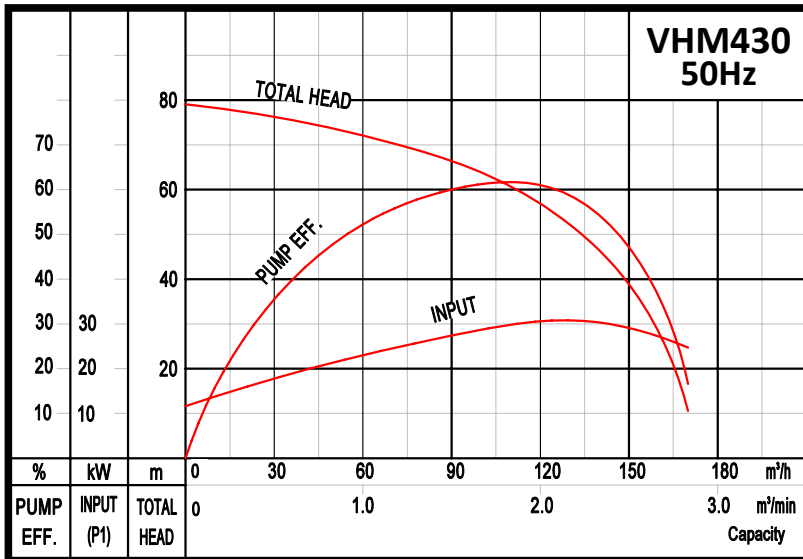
MODEL	422	622
A	220	285
B	180	240
C	100	150
D	1374	1434
E	1072	1082



WEIGHT	370kg
---------------	--------------

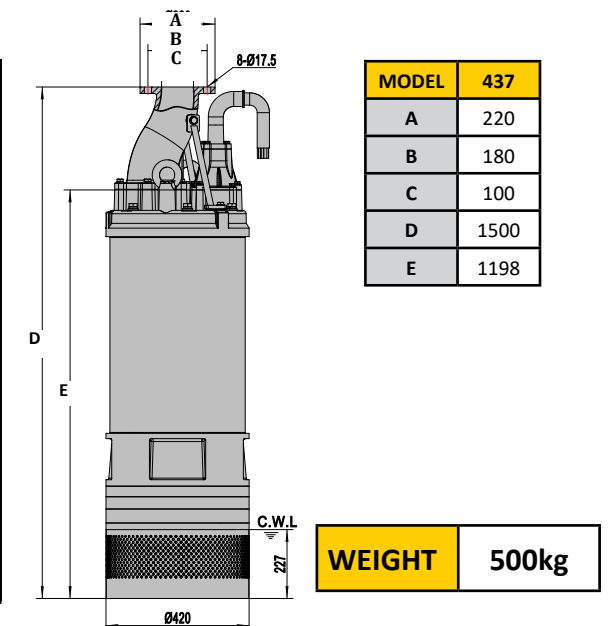
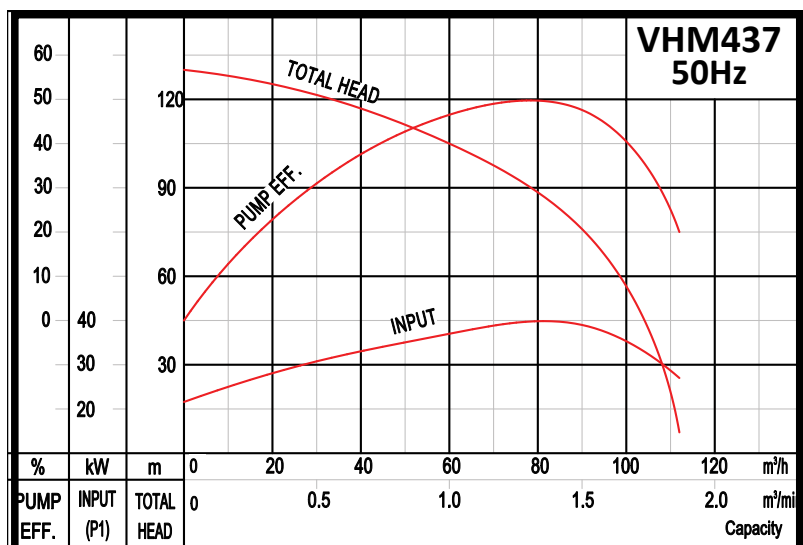
VHM SUBMERSIBLE RANGE

PERFORMANCE CURVE & DIMENSIONS



MODEL	430	630
A	220	285
B	180	240
C	100	150
D	1374	1434
E	1072	1082

WEIGHT 375kg

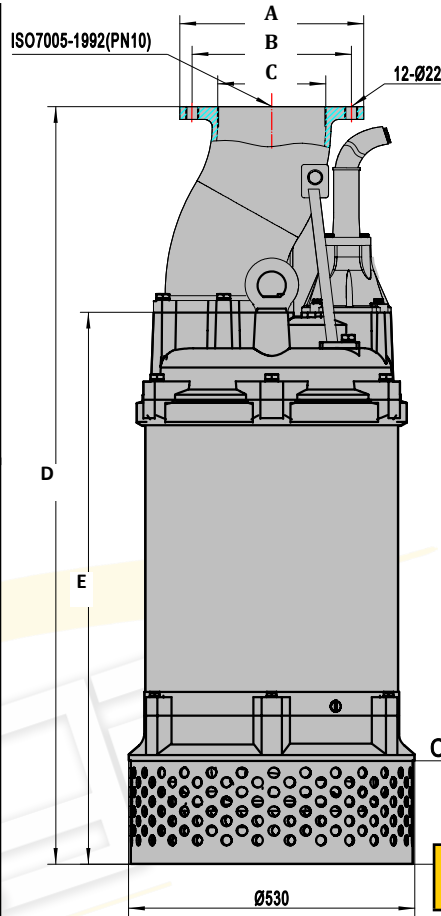
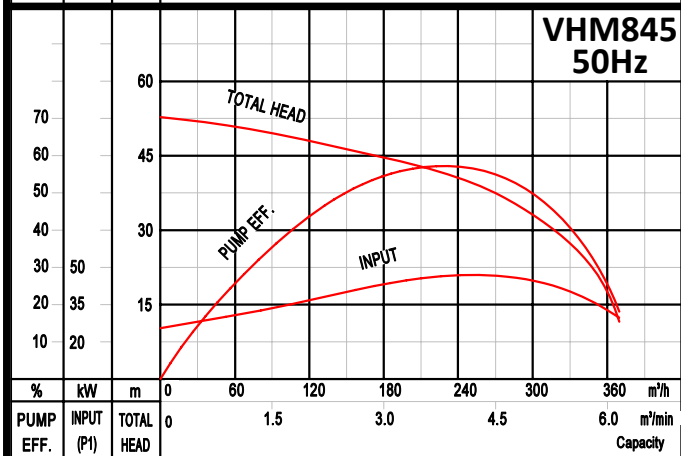
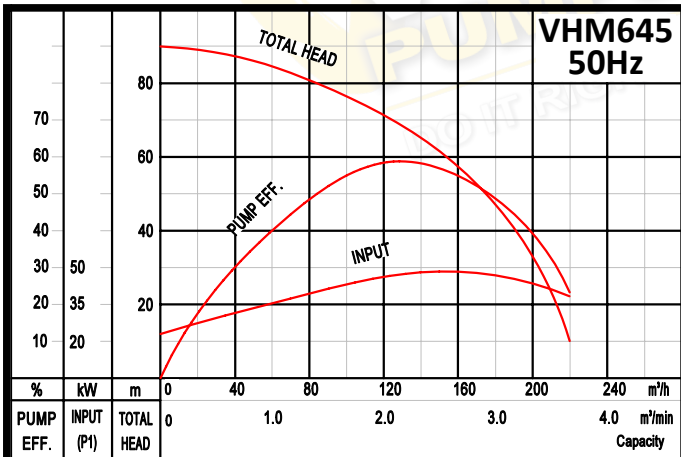
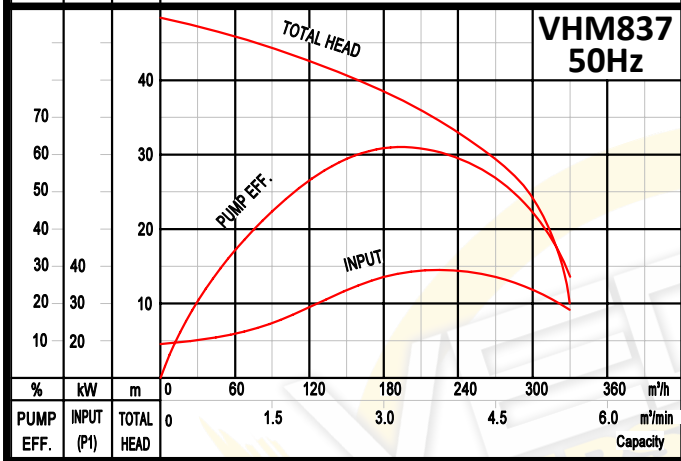
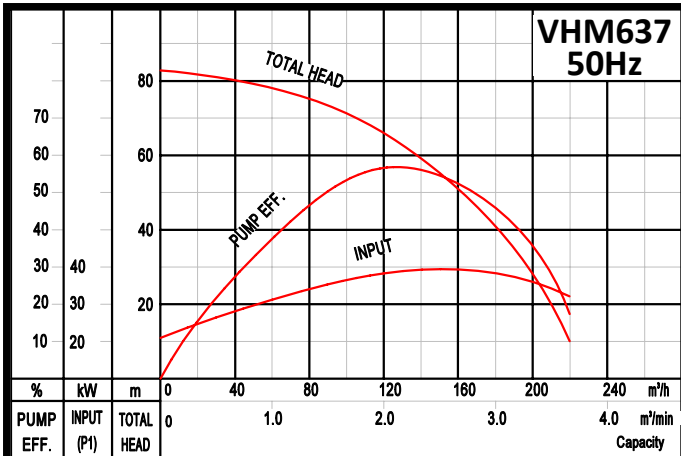


MODEL	437
A	220
B	180
C	100
D	1500
E	1198

WEIGHT 500kg

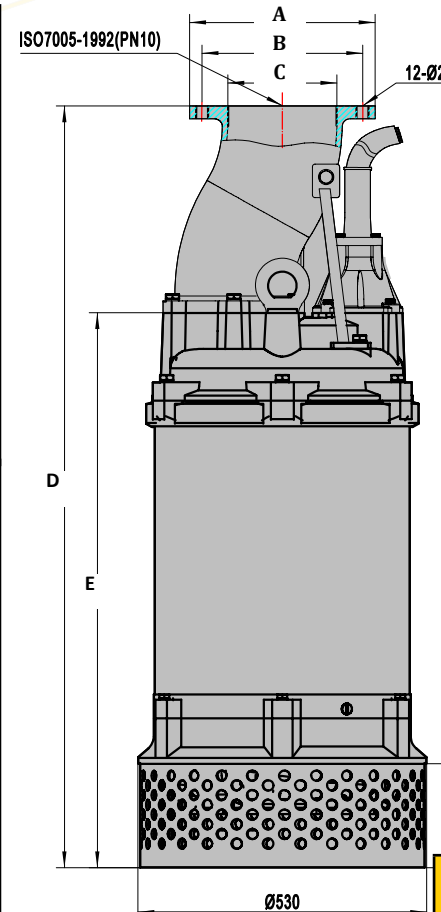
VHM SUBMERSIBLE RANGE

PERFORMANCE CURVE & DIMENSIONS



MODEL	637	837
A	285	340
B	240	295
C	150	200
D	1424	1474
E	1072	1072

WEIGHT	575KG
---------------	--------------

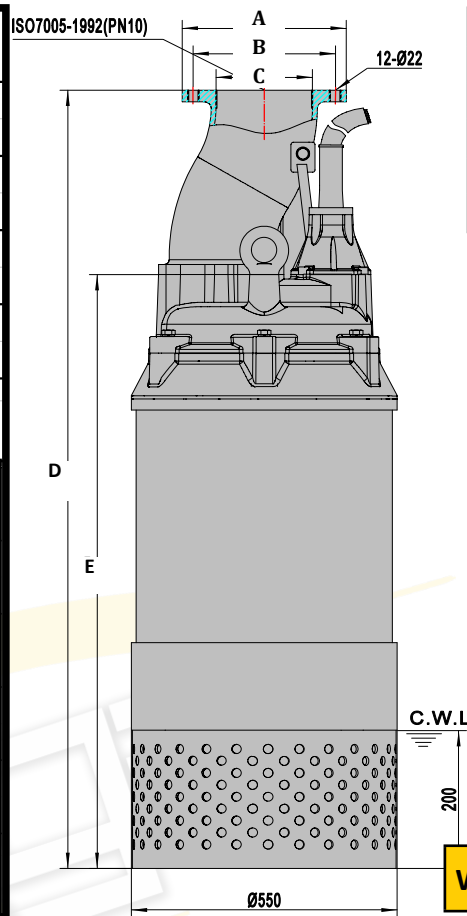
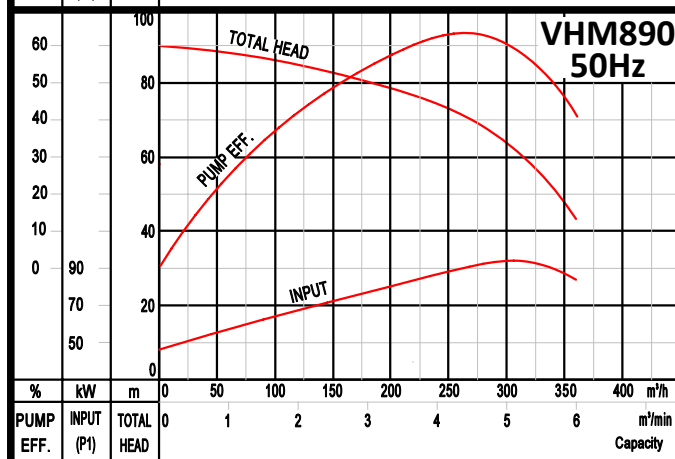
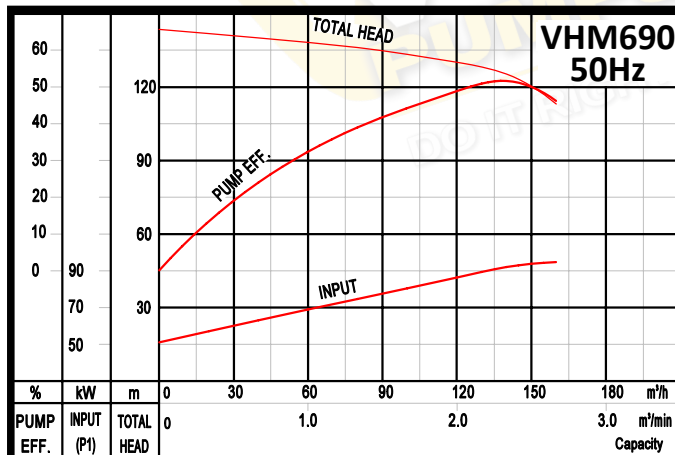
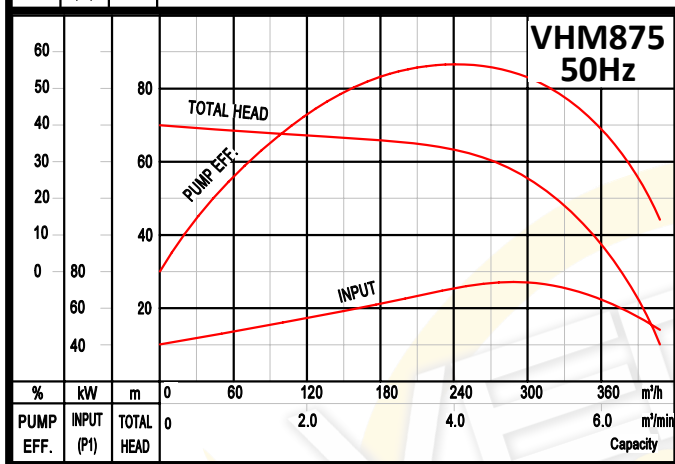
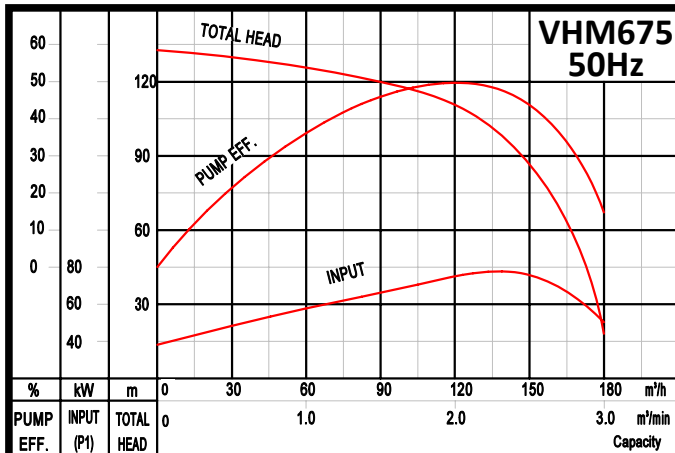


MODEL	645	845
A	285	340
B	240	295
C	150	200
D	1424	1474
E	1072	1072

WEIGHT	580KG
---------------	--------------

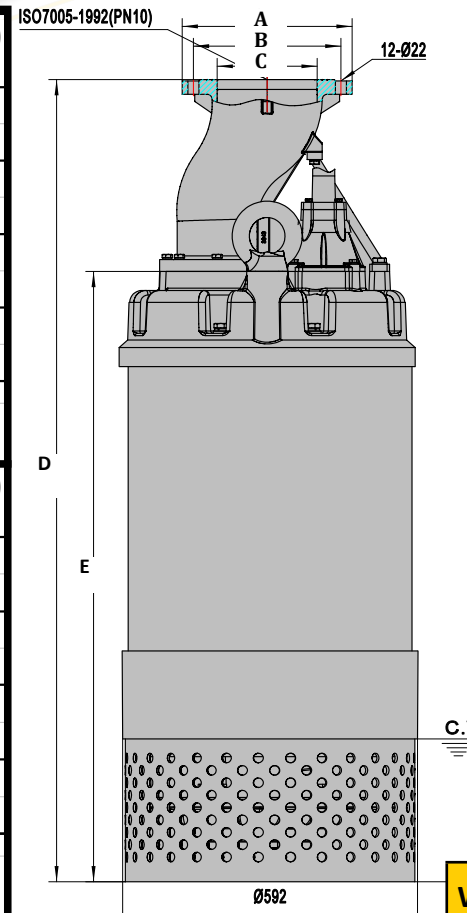
VHM SUBMERSIBLE RANGE

PERFORMANCE CURVE & DIMENSIONS



MODEL	675	875
A	285	340
B	240	295
C	150	200
D	1630	1680
E	1280	1280

WEIGHT	880KG
---------------	--------------

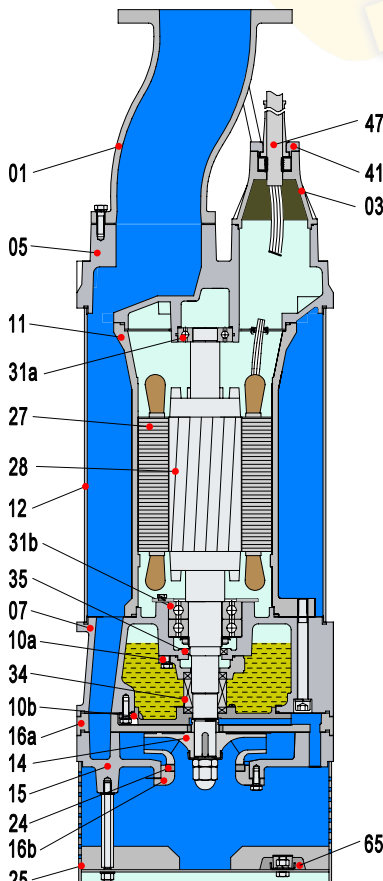
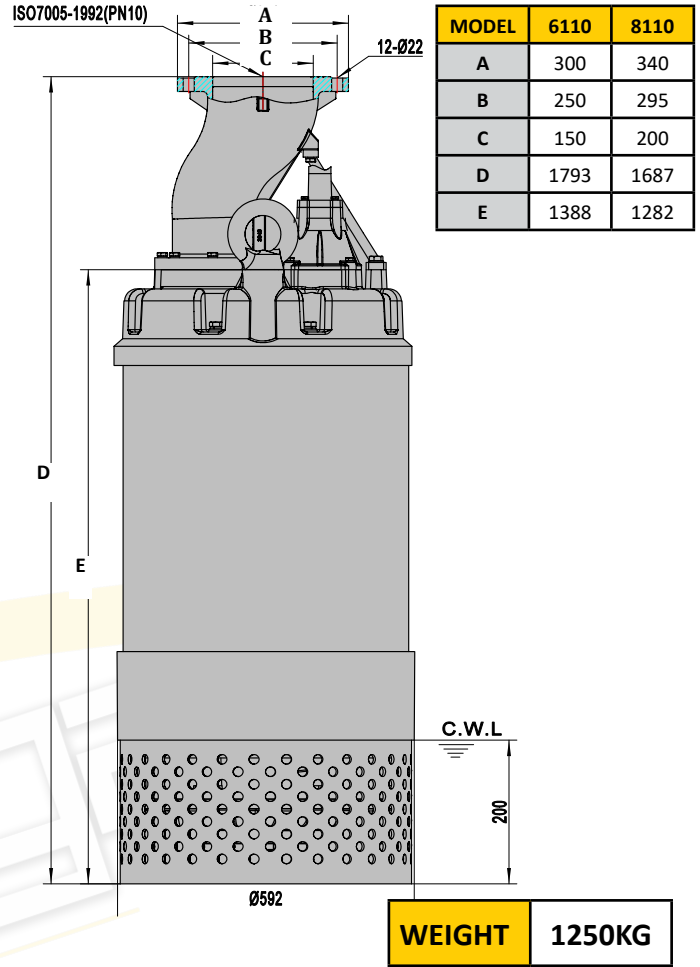
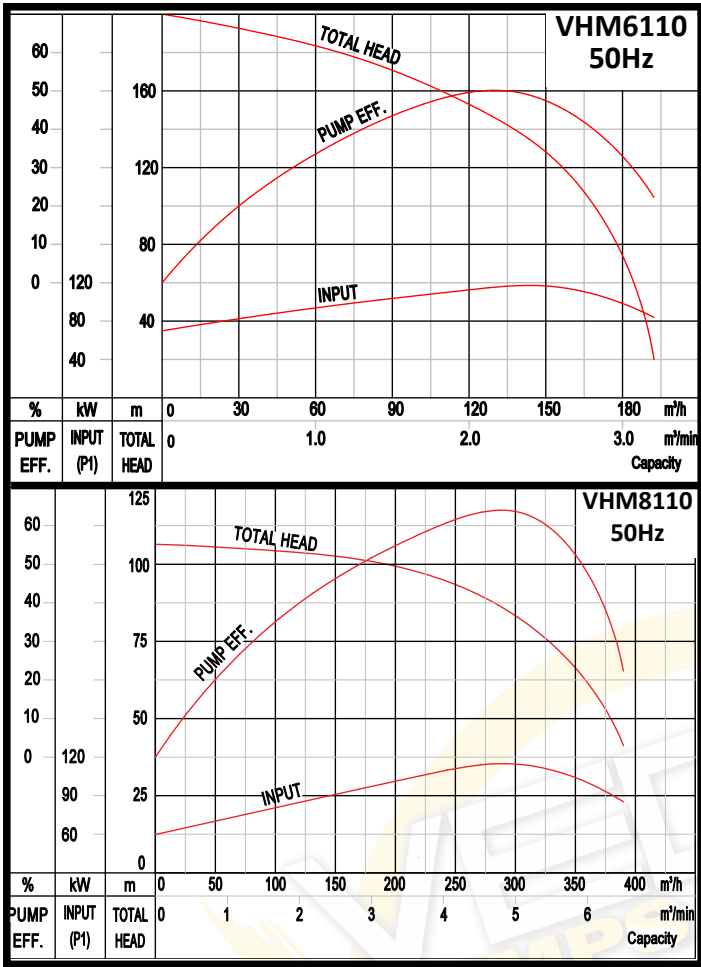


MODEL	690	890
A	300	340
B	250	295
C	150	200
D	1687	1687
E	1282	1282

WEIGHT	1120KG
---------------	---------------

VHM SUBMERSIBLE RANGE

PERFORMANCE CURVE & DIMENSIONS

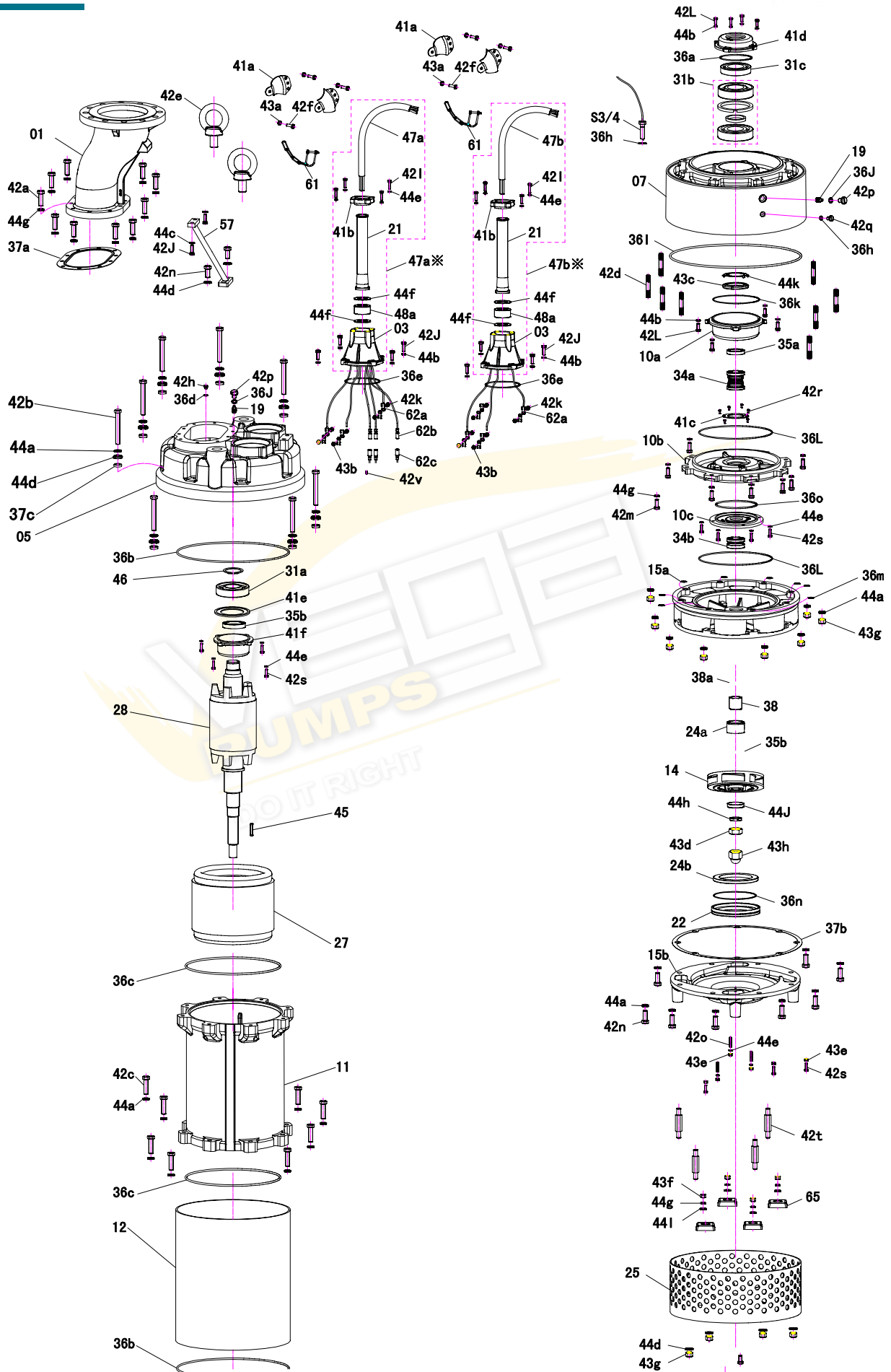


ITEM NO	PART NAME	MATERIAL
01	Hose coupling	Ductile iron
03	Terminal box	Cast iron
05	Upper cover	Cast iron
07	Bering house	Cast iron
10A	Seal bracket	Cast iron
10B	Seal bracket	Cast iron
11	Motor body	Cast iron
12	Outer casing	Steel
14	Impeller	High chrome alloy
15	Diffuser	Ductile iron
16A	Inlet plate	Ductile iron
16B	Inlet plate	Ductile iron

ITEM NO	PART NAME	MATERIAL
24	Neck ring	High chrome alloy
25	Strainer	AISI304SS
27	Stator	
28	Rotor	Shaft: AISI420SS
31A	Bearing	Ball bearing
31B	Bearing	Ball bearing
34	Mechanical seal	Tc-Sic/Sic-Sic
35	Oil seal	
41	Cable fixing plate	Cast iron
47	Cable	
65	Cathodic protection plate	AL

VHM SUBMERSIBLE RANGE

EXPLODED VIEW



VHM SUBMERSIBLE RANGE

MATERIAL SPECIFICATION



Index	Part name	Qty	Material
01	Hose coupling	1	Ductile iron
03	Terminal box	2	Cast iron
05	Upper cover	1	Cast iron
07	Bearing house	1	Cast iron
1 0a	Seal bracket	1	Cast iron
1 0b	Seal bracket	1	Cast iron
1 0c	Seal bracket	1	Cast iron
11	Motor body	1	Cast iron
12	Outer casing	1	Steel
14	Impeller	1	High chrome alloy
1 5a	Diffuser	1	Cast iron
1 5b	Diffuser	1	Ductile iron
19	Grease nipple	2	AISI304 SS
21	Cable tube	2	NBR
22	Seat assembly	1	Cast iron
2 4a	Neck ring	1	AISI304 SS
2 4b	Neck ring	1	High chrome alloy
25	Strainer	1	AISI304 SS
27	Stator	1	
28	Rotor	1	Shaft:AISI420SS
3 1a	Bearing	1	
3 1b	Bearing	2	
3 1c	Bearing	1	
3 4a	Mechanical seal	1	TC- Sic/ Sic-Sic
3 4b	Mechanical seal	1	Sic-Sic
3 5a	Oil seal	1	
3 5b	Oil seal	1	
3 6a	O-ring	1	NBR
3 6b	O-ring	2	NBR
3 6c	O-ring	2	NBR
3 6d	O-ring	1	NBR
3 6e	O-ring	2	NBR
3 6h	O-ring	2	NBR
3 6i	O-ring	1	NBR
3 6j	O-ring	2	NBR
3 6K	O-ring	1	NBR
3 6L	O-ring	2	NBR
3 6m	O-ring	8	NBR
3 6n	O-ring	1	NBR
3 6o	O-ring	2	NBR
3 7a	Gasket	1	NBR
3 7b	Gasket	1	PVC
3 7c	Gasket	8	NBR
38	Shaft sleeve	1	AISI420 SS
4 1a	Cable fixing plate	4	AISI304 SS
4 1b	Cable clamping band	2	Cast iron
4 1c	Mechanical seal fixing plate	1	
4 1d	Bearing fixing plate	1	Cast iron
4 1e	Pressing block	1	
4 1f	Bearing fixing plate	1	Cast iron
4 2a	Bolt	10	AISI304 SS
4 2b	Bolt	8	AISI304 SS
4 2c	Bolt	8	AISI304 SS

Index	Part name	Qty	Material
4 2d	Bolt	8	AISI304 SS
4 2e	Screw	2	AISI304 SS
4 2f	Bolt	6	AISI304 SS
4 2g	Bolt	2	AISI304 SS
4 2h	Screw	1	AISI304 SS
4 2i	Bolt	8	AISI304 SS
4 2j	Bolt	8	AISI304 SS
4 2K	Bolt	6	H62
4 2L	Bolt	8	AISI304 SS
4 2m	Bolt	8	AISI304 SS
4 2n	Bolt	10	AISI304 SS
4 2o	Bolt	3	AISI304 SS
4 2p	Screw	2	H62
4 2q	Screw	1	H62
4 2r	Screw	6	
4 2s	Bolt	11	AISI304 SS
4 2t	Screw	4	AISI304 SS
4 2u	Bolt	4	AISI304 SS
4 2v	Screw	1	
4 3a	Nut	6	AISI304 SS
4 3b	Nut	6	H62
4 3c	Nut	1	AISI304 SS
4 3d	Nut	1	AISI304 SS
4 3e	Nut	6	AISI304 SS
4 3f	Nut	4	AISI304 SS
4 3g	Nut	12	AISI304 SS
4 3h	Nut	1	AISI304 SS
4 4a	Spring washer	32	AISI304 SS
4 4b	Spring washer	16	AISI304 SS
4 4c	Washer	2	AISI304 SS
4 4d	Washer	6	AISI304 SS
4 4e	Spring washer	19	AISI304 SS
4 4f	Washer	4	AISI304 SS
4 4g	Spring washer	22	AISI304 SS
4 4h	Spring washer	1	AISI304 SS
4 4i	Washer	4	AISI304 SS
4 4j	Profiled pad	1	AISI304 SS
4 4K	Profiled pad	1	65Mn
4 4L	Profiled pad	6	AISI304 SS
45	Key	1	AISI304 SS
46	Circlips for shaft	1	65Mn
4 7a	Cable	1	
4 7b	Cable	1	
47 a	Cable-Terminal box assembly	1	
47 b	Cable-Terminal box assembly	1	
4 8a	Cable bends	2	NBR
57	Rod	1	
61	Chain	2	AISI304 SS
6 2a	Connecting terminal	12	H62
6 2b	Connecting terminal	3	
6 2c	Connecting terminal	3	
65	Cothodic protection plate	4	AL
S 3/4	Oil water leakage	1	