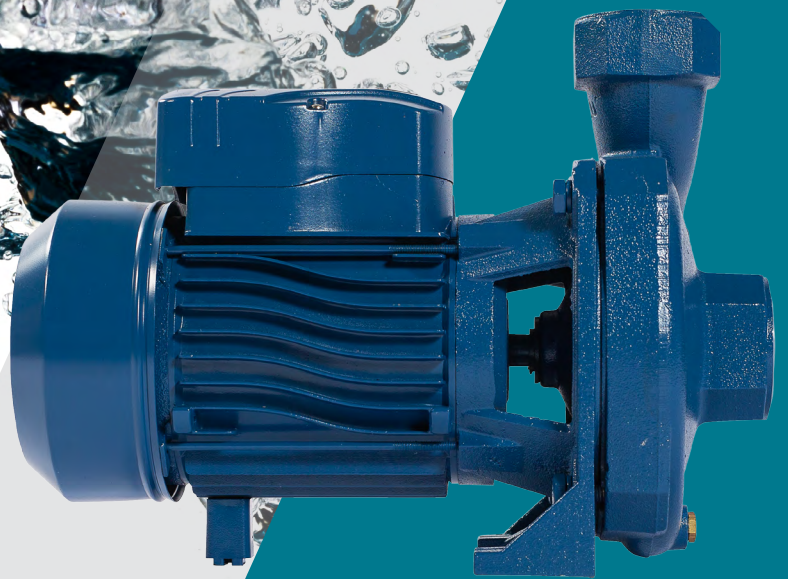




# CENTRIFUGAL RANGE

CPM HIGH FLOW



# SINGLE STAGE PUMPS

## CPM



### Range of performance

Flow rate: max 416 L/min (25m<sup>3</sup>/h)  
 Head: max 30m

### Limits of use

Suction lift: max 7m  
 Liquid temperature: 40°C  
 Ambient temperature: 40°C

### Uses and installations

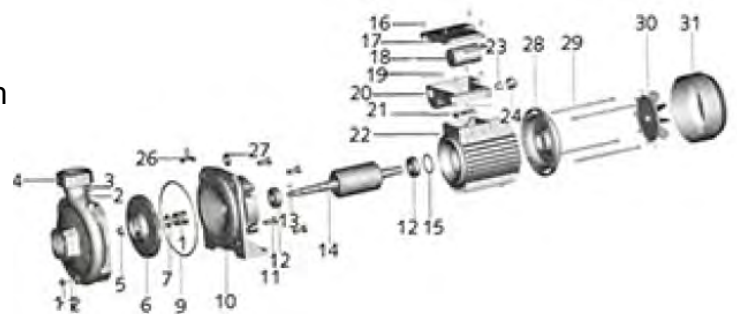
They are recommended for pumping clean water without abrasive particles and liquids that are chemically non aggressive for the materials of which the pump is made. Due to their reliability, simplicity of use and economy, they are suitable for high flow requirements & specifically for centre pivot/greenhouse irrigation. The pump must be installed under a vented cover and protected against exposure to rain or water spray.



### Construction Characteristics

Pump Body: Cast Iron  
 Impeller: Brass  
 Motor Shaft: Stainless Steel 304  
 Mechanical Seal: Ceramic-graphite  
 Electric Motor: Single-phase 230V - 50Hz with capacitor and thermal overload protector.  
 CP: three-phase 380/400v -50Hz  
 Insulation: Class B  
 Protection: IP 44

### Diagram



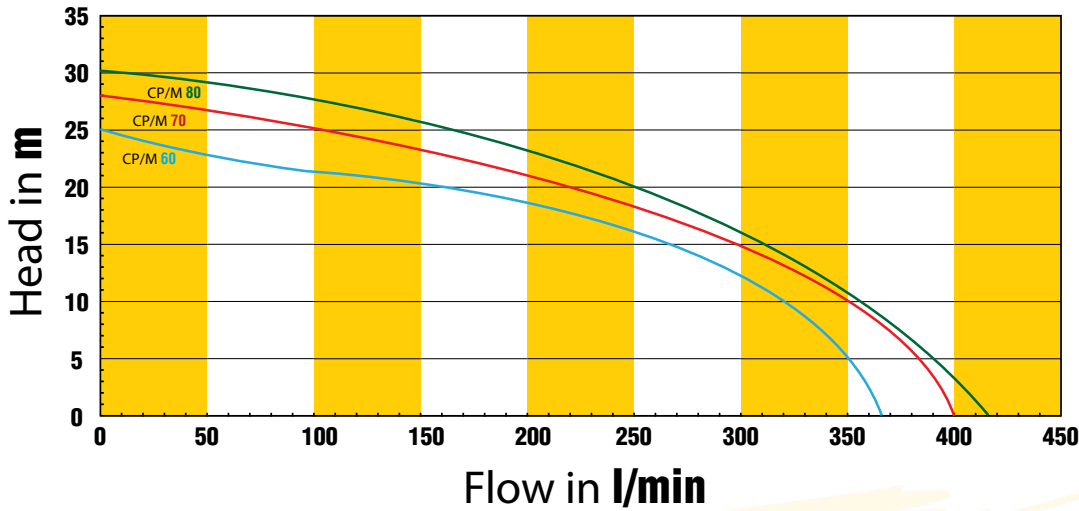
### Diagram

| No. | Description      | No. | Description  | No. | Description    | No. | Description |
|-----|------------------|-----|--------------|-----|----------------|-----|-------------|
| 1   | Water vent screw | 9   | O-Ring       | 17  | Terminal cover | 25  | Screw       |
| 2   | O-Ring           | 10  | Pump Support | 18  | Capacitor      | 26  | Stand       |
| 3   | Air vent screw   | 11  | Bolt         | 19  | Screw          | 27  | Drop guard  |
| 4   | Pump body        | 12  | Bearing      | 20  | Terminal box   | 28  | Driving cap |
| 5   | Nut              | 13  | Key          | 21  | Terminal board | 29  | Bolt        |
| 6   | Impeller         | 14  | Rotor        | 22  | Motor Bracket  | 30  | Fan         |
| 7   | Washer           | 15  | Split ring   | 23  | Cable Fixer    | 31  | Fan Cover   |
| 8   | Mechanical Seal  | 16  | Screw        | 24  | Nut            |     |             |

# PERFORMANCE CURVE



## Hydraulic Performance Curve

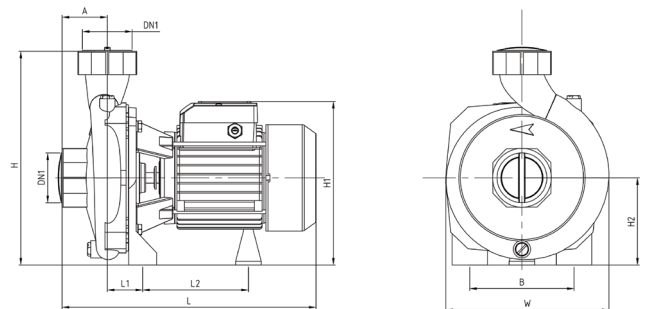


## Technical Data

| NO | MODE      | POWER |     | Q (m³/h) | Q (l/min) |      |      |      |     |      |      |      |     |     |  |  |  |  |
|----|-----------|-------|-----|----------|-----------|------|------|------|-----|------|------|------|-----|-----|--|--|--|--|
|    | 1ph / 3ph | kW    | HP  |          | 0         | 50   | 100  | 150  | 200 | 250  | 300  | 350  | 400 | 450 |  |  |  |  |
| 1  | CP/M60    | 1.1   | 1.5 | H (m)    | 25        | 22.8 | 21.8 | 20.7 | 19  | 16   | 12.9 | 4.4  |     |     |  |  |  |  |
| 2  | CP/M70    | 1.5   | 2   |          | 28        | 26.5 | 25   | 23.5 | 21  | 18.3 | 15   | 10   | 0   |     |  |  |  |  |
| 3  | CP/M80    | 2.2   | 3   |          | 30        | 29.1 | 27.6 | 24.9 | 22  | 19.6 | 16.3 | 10.8 | 2.7 |     |  |  |  |  |

## Dimensions

| No | Model      | Freq. | Suct. Max | Size    | Start-up Amps (1ph) | Running Amps (1ph) | Dimension    | N/W  |
|----|------------|-------|-----------|---------|---------------------|--------------------|--------------|------|
|    | 1 ph / 3ph | Hz    | m         | inch    | A                   | A                  | L x W x H mm | kg   |
| 1  | CPM60      | 50    | 7         | 2" x 2" | 16                  | 5.2                | 403x245x310  | 21.2 |
| 2  | CPM70      | 50    | 7         | 2" x 2" | 23.5                | 7.5                | 403x245x310  | 23.6 |
| 3  | CPM80      | 50    | 7         | 2" x 2" | 30.5                | 10.2               | 440x242x295  | 29.8 |



## Installation Dimensions

| Model | Dimensions(mm) |     |     |     |     |     |     |    |     |    |     |
|-------|----------------|-----|-----|-----|-----|-----|-----|----|-----|----|-----|
|       | DN1            | DN2 | L   | W   | H   | H1  | H2  | A  | B   | L1 | L2  |
| CPM60 | 2"             | 2"  | 373 | 215 | 280 | 240 | 240 | 60 | 150 | 80 | 135 |
| CPM70 | 2"             | 2"  | 373 | 215 | 280 | 240 | 240 | 60 | 150 | 80 | 135 |
| CPM80 | 2"             | 2"  | 400 | 215 | 280 | 240 | 240 | 60 | 150 | 80 | 135 |