



# BOREHOLE RANGE

6SP OIL FILLED MOTOR



# 6SP OIL FILLED MOTOR

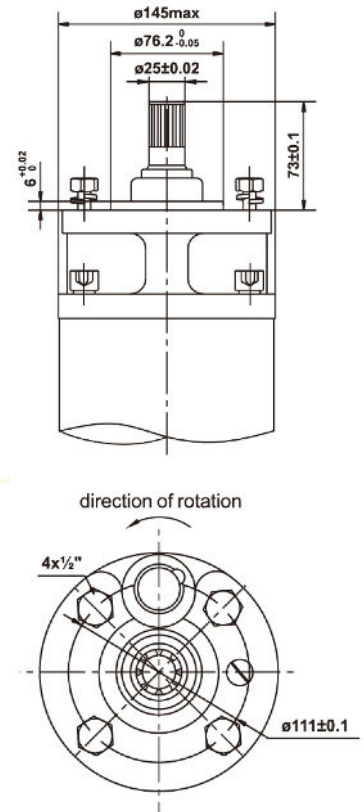


## Applications

For water supply from wells or reservoirs  
 For domestic use, for civil and industrial applications  
 For irrigation and dewatering

## Operating Conditions

Speed:	2850rpm
Insulation class:	F
Protection grade:	IP 68
Maximum fluid temperature:	up to +40°C
Minimum well diameter:	8"
Thrust load:	2500N
Water pH range:	6.5 - 8.0
Maximum submerged depth:	200m
Mounting:	Vertical/horizontal
Minimum cooling flow along the motor:	8cm/s
Maximum starts per hour:	10-30 (Dependent on motorsize)



## Motor and Pump

Single-phase: 4 core Lead-out cable  
 Three-phase: 380 - 415V/50Hz

## Components and Materials

Motor external casing	AISI 304 SS
Top chock	Cast-iron ASTM No.30
Bottom support	Cast-iron ASTM No.30
Seal	NBR Carbon-SIC/TC
Shaft	AISI 304 SS-ASTM 5140



MODEL	P <sub>2</sub>		n≈ 2850 1/MIN113						
	kW	HP	Voltage (V)	Ph	In (A)	COSθ	η (%)	L (mm)	Weight (kG)
6SP5500	5.5	7.5	380-415V	3	11.0	0.80	76	614	42.6
6SP7500	7.5	10			15.0	0.81	76.5	654	470
6SP9200	9.2	12.5			18.5	0.81	77	704	52.7
6SP11000	11	15			21.5	0.82	78	754	58.3
6SP13000	13	17.5			25.5	0.82	78	804	63.9
6SP15000	15	20			29.0	0.83	79	854	69.5
6SP18500	18.5	25			35.5	0.83	79	934	80.9
6SP22000	22	30			42.0	0.83	80	1014	91.6
6SP26000	26	35			49.0	0.84	80	1094	102.3
6SP30000	30	40			57.0	0.84	81	1174	113.0
6SP37000	37	50	72.0	0.84	82	1299	125.0		